

MVP Series



NEMA 4/IP 65

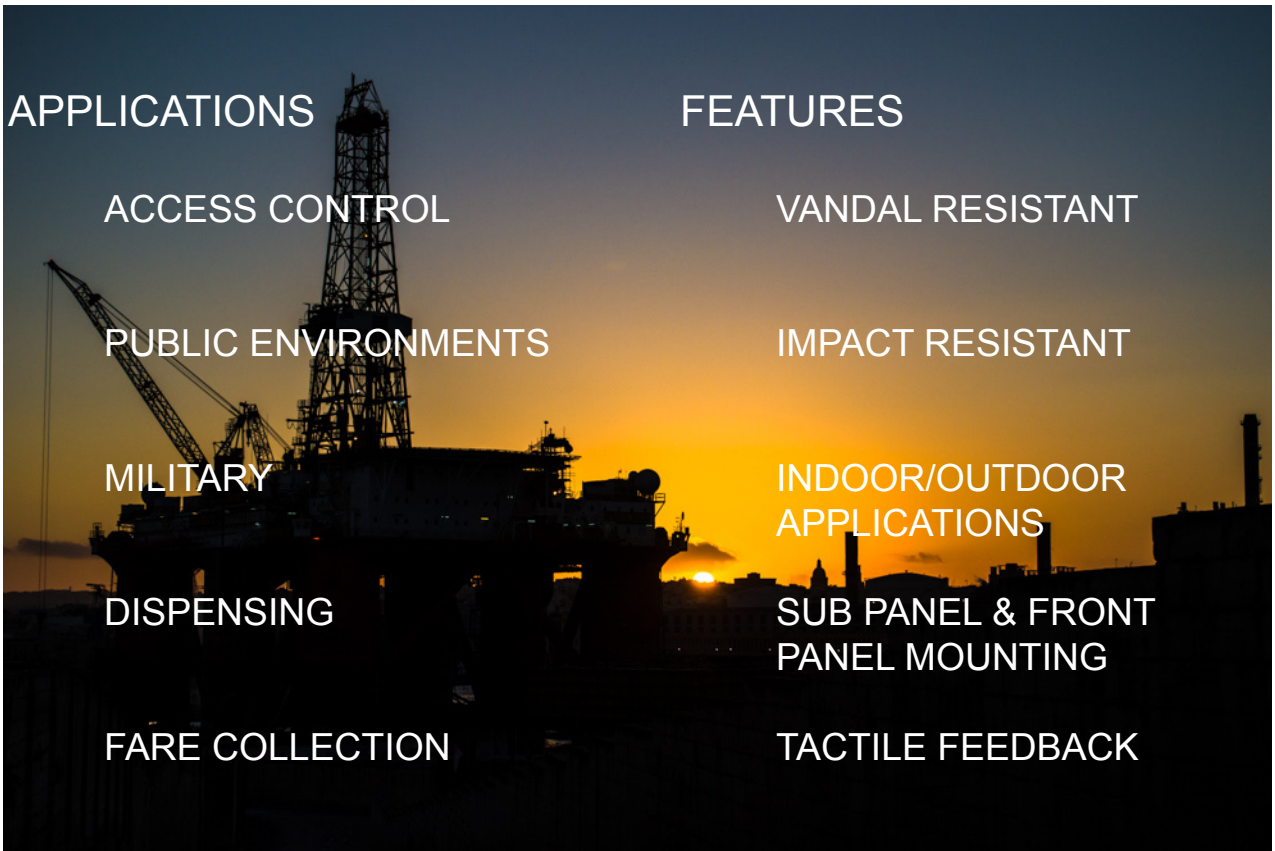


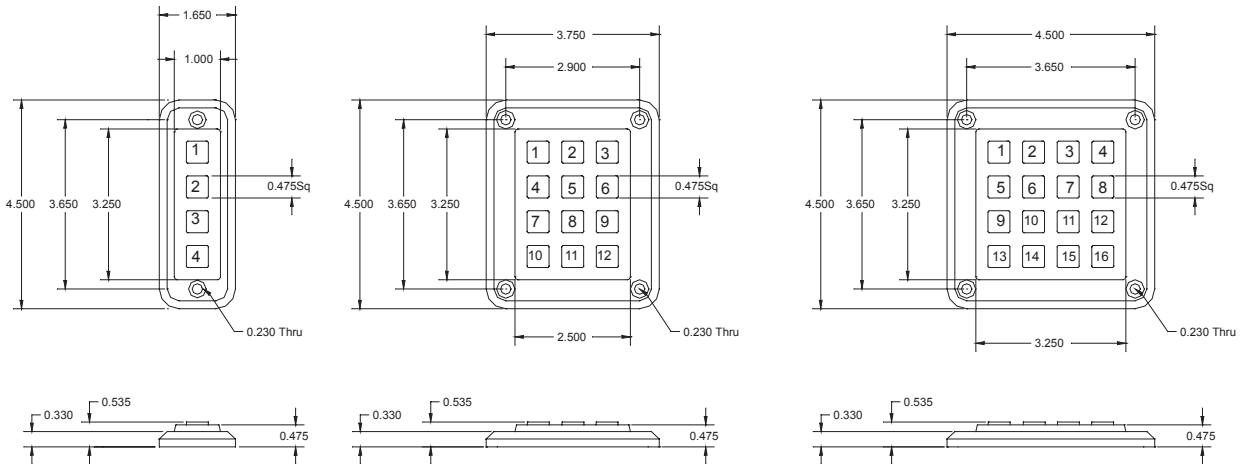
APPLICATIONS

- ACCESS CONTROL
- PUBLIC ENVIRONMENTS
- MILITARY
- DISPENSING
- FARE COLLECTION

FEATURES

- VANDAL RESISTANT
- IMPACT RESISTANT
- INDOOR/OUTDOOR APPLICATIONS
- SUB PANEL & FRONT PANEL MOUNTING
- TACTILE FEEDBACK





Matrix Output

1x4

	1	2	3	4	5
1	◆				◆
2	◆			◆	
3		◆	◆		
4	◆	◆			

3x4

	1	2	3	4	5	6	7	8
1	◆		◆					
2	◆			◆				
3	◆				◆			
4		◆	◆					
5		◆		◆				
6		◆			◆			
7			◆					◆
8				◆				◆
9					◆			◆
10			◆			◆		
11				◆			◆	
12					◆		◆	

4x4

	1	2	3	4	5	6	7	8
1	◆		◆					
2	◆			◆				
3	◆				◆			
4	◆					◆		
5		◆	◆					
6		◆		◆				
7		◆			◆			
8		◆				◆		
9			◆				◆	◆
10				◆				◆
11					◆			◆
12						◆		◆
13			◆				◆	
14				◆				◆
15					◆		◆	
16						◆	◆	

Shaded keys are available with LED backlighting. CANC, ENT, CLR and the 5 key have raised figures.

Standard Keys

1 QZ	2 ABC	3 DEF	4 GHI	5 JKL	6 MNO	7 PRS	8 TUV	9 WXY	0	* CLR	# ENT		
CANC X	ENT ⊙	CLR ←	SAV EP	CANC ANNUL	OK	CORR	CHQ			A	B	C	D
1	2	3	4	5	6	7	8	9	0	A	B	C	D
F1	F2	F3	F4	*	#	→	F1	F2	F3	F4	*	#	→
1	2	3	4	5	6	7	8	9	0	A	B	C	D

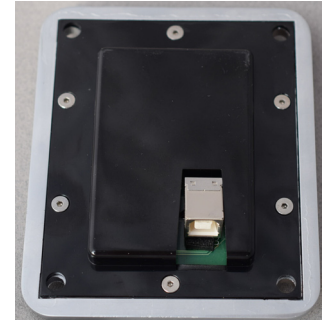


MVP-1x4 K3373

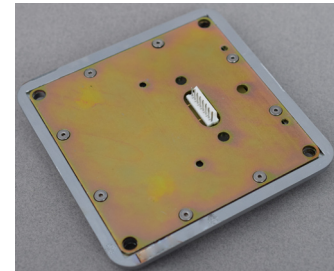
Locking header 640456-5
Mating connector 640440-5



MVP-3x4 K3350 X-Y Matrix K3350-UKE USB



MVP-4x4 K3351 X-Y Matrix K3351-UKE USB



Matrix keypads have locking header P/N 640456-8
Mating connector P/N is 640440-8

USB versions have a standard female “B” type USB connector

SPECIFICATIONS

ELECTRICAL

CONTACT CONFIGURATION	SPST Normally Open
CURRENT/VOLTAGE	10mA @ 24 Volts DC
BREAKDOWN VOLTAGE	500 Volts AC
CONTACT RESISTANCE	<100 Ohms
CONTACT BOUNCE	<5ms

MECHANICAL

LIFE EXPECTANCY	4 Million Actuations
TRAVEL	.050"
FORCE	150 gms Nominal
OPERATING TEMP	-40 to 75C
HUMIDITY	0 – 98% No Condensation

Operator Interface Technology
650 Weaver Park Road Longmont
Colorado 303-684-0094

www.oitkeypad.com